



### Features

- High reliability
- Offers up to 1200x2 LBS Holding Force.
- **For double leaf doors.**
- Fail- safe operation ( Power to Lock).
- Five years warranty.
- Anodized aluminum housing.
- MOV provides spike and surge protection.
- Adjustable mounting plate for easy installation.
- Dual voltage 12 or 24 VDC (selectable).
- Anti-Residual magnetism designed.

### Statement

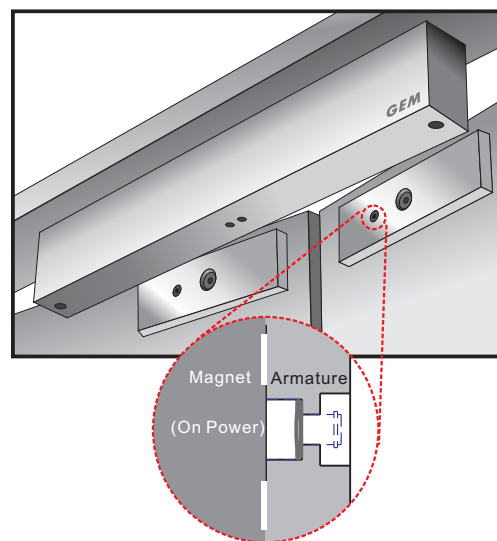
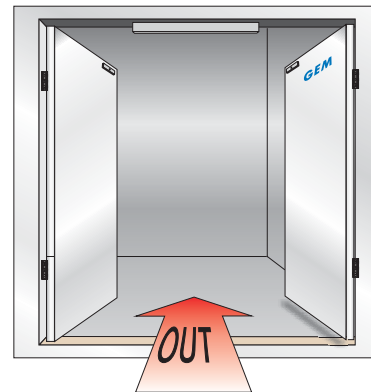
The 10060 Series is high quality and safety range of standard fail-safe electromagnetic locks that is simply, works well in order to effectively secure with doors. It is surface mounted face to face locks offering up to 1200x2 pounds holding force with field selectable for 12V or 24V DC dual input voltage. This lock is recommended for applications which required higher levels of access and egress control and is suitable for fire doors and emergency exit doors.

The 10060 Series is designed for double doors and are suitable for out-swing applications. Installation of in-swing door, narrow-style frames and frameless glass door requires the used an additional bracket. With the accessories provided, the lock can be used on wooden, and even metal door. It has designed and offered the different optional functions into electromagnetic lock and accommodate the different needs of users and increase the lock's value and uniqueness.

### Specifications

- Voltage Tolerance: 15%
- Current Draw: 500mA@12Vdc, 250mA@24Vdc (at temperature 20 C)
- Operating Temperature: -10~55C (14~131F)
- Humidity: 0~95% non-condensing.
- Lock's surface Temperature (when the power is on): )current temperature +20C (
- Holding Force: Up to 1200x2 lbs )545x2 Kg(
- Dimensions:
  - Magnet:(L) 532(528), (W) 68, (D) 40 mm
  - Armature Plate:(L) 185, (W) 62, (D) 16 mm
  - Mounting Plate:(L) 532(528), (W) 40, (D) 5 mm
- Special Finishes for magnet and armature plate: Zinc
- Epoxy Potting Compound: E87252 (S), UL94V-0
- Weight )Approx.(: 9.5 Kg

### Regular Installation



Unique Anti-Residual design

When the power is switched off, the holding force will be discontinuity and the bolt was installed in armature will pop out immediately. This design enables the door to be opened freely without any resistance.

### Warranty

The product is warranted against defects in material and workmanship while used in normal service for a period of 5 year from the date of sale to the original customer. The GEM policy is one of continual development and improvement; therefore GEM reserves the right to change specifications without notice.

### GIANNI INDUSTRIES, INC.

No. 13, Zhong Sing Road, Tu-Cheng Industrial Zone,  
Tu-Cheng City, Taipei, Taiwan 23678  
Tel: 886-2 2267 7986 / Fax: 886-2 2267 9876  
E-Mail: info@gianni.com.tw  
Website: gianni.tw  
Copyright 2008 Gianni industries, inc. All rights reserved.  
DM-CA-10060 Ver. C Published on 2008.05.01



The products are manufactured under an ISO 9001 & QC 080000 Certified Quality Management Program environment back its product quality, performance and commitment to customer satisfaction.

### Operating Features



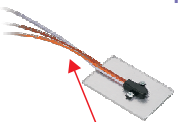
#### 10040: Bond sensor output & Status LED

Bond sensor is used to indicate the door status as in a locked or unlocked condition. Status LED is a visual feedback for user to give the true status of the lock at any time. Green light indicates the door is insecure (unlocked) and the Red light indicates the door is secure (locked).  
Bond sensor output: SPDT rated: 3A@12VDC



#### 10040BZ: Buzzer Alarm

Door Held Open Alarm is an auditory feedback for user. Alarm sounds when the door is not closed and has exceeded a specified time limit. Only way to stop is by the unclosing door has been closed correctly. User can also configure alarm time limit settings on the VR timer and it is adjustable from 0 to 20 seconds.

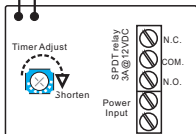


#### 10040DS: Door status and bond sensor output & Status LED

Door Status Sensor indicates the door is in an opened or closed status. Magnetic Bond Sensor indicates the door is in a locked or unlocked status.

Door status output : SPDT rated: 0.25A@12VDC

Trigger



#### 10040TD: Re-locking time delay

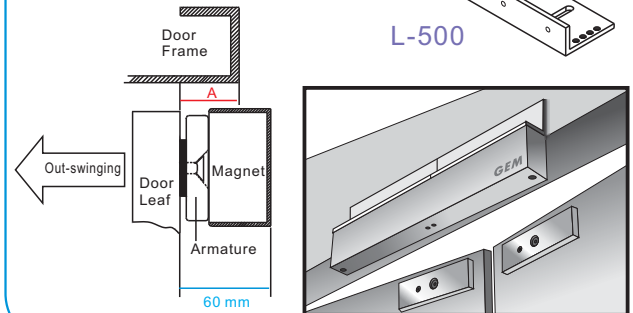
Relocking Time Delay Switch ensures the automatically turns to lock mode after the door is closed properly and it can be adjusted from 0 to 90 seconds.

### Optional Brackets

The door swinging direction and the door frame header are used to determine whether the bracket is required and this identify is a measure of which brackets is suitable. Our optional brackets include L-bracket, LZ-bracket and U-bracket.

#### With L-bracket for narrow door frames

When "A" < 60 mm ,must installed with "L" brackets.



#### With LZ-bracket for in-swinging doors

